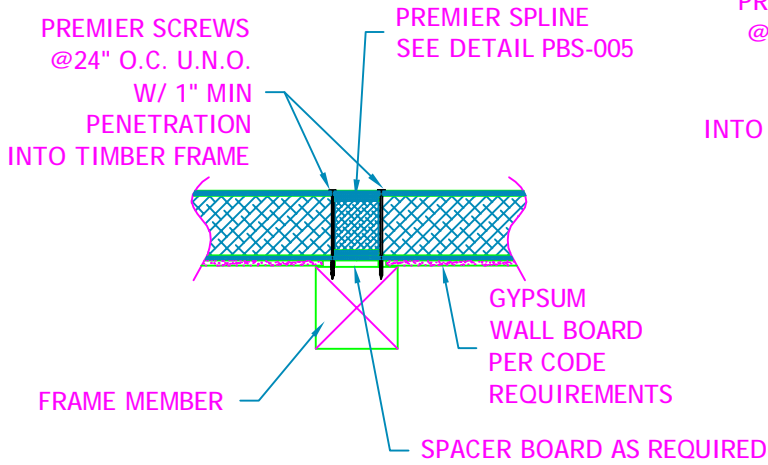
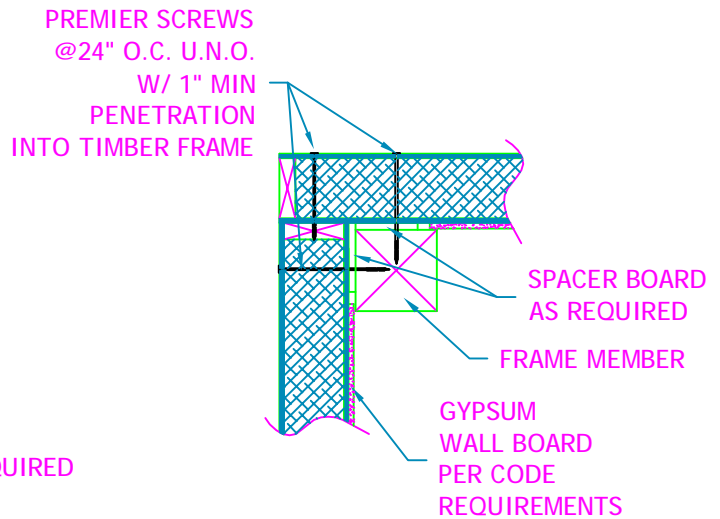


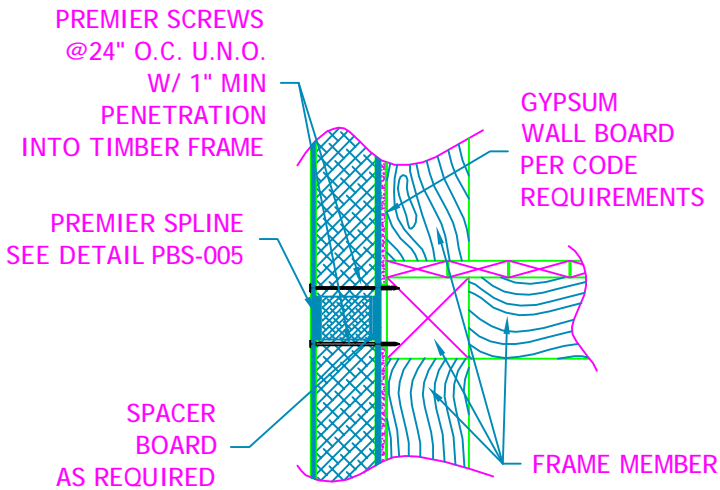
**A**



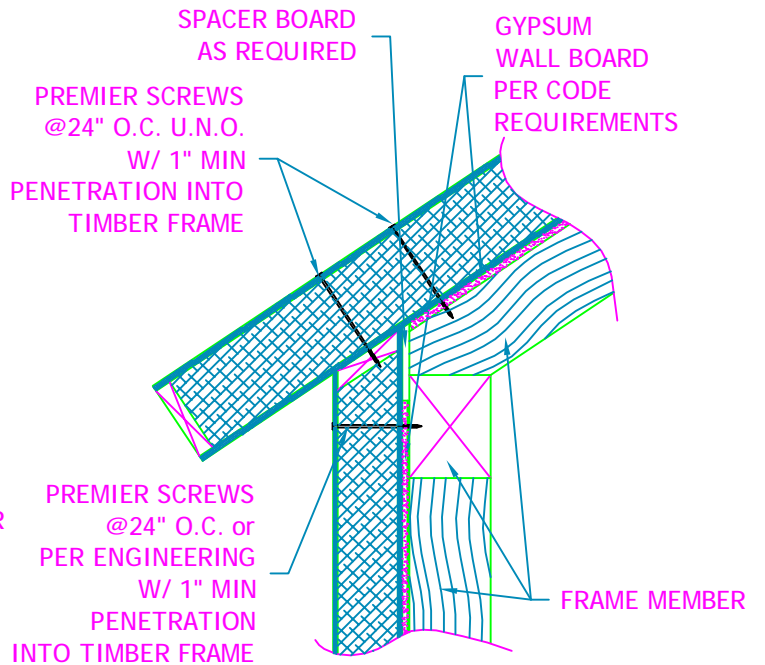
**B**



**C**



**D**



TYPICAL TIMBER FRAME DETAILS  
PREMIER BUILDING SYSTEMS