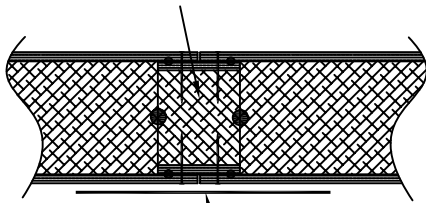


PANEL SPLINE
(i.e. BOX SPLINE , LUMBER, ETC...)



NOTE:
6" SIP TAPE USED
AT PANEL TO PANEL
CONNECTION WHERE
BUTTED TOGETHER

6" SIP TAPE ON (WINTER)
WARM SIDE OF PANEL*

IN PLANE PANEL JOINT (INSTALL LAST)

NOTES:

SURFACE PREPARATION

ALL SURFACES MUST BE CLEAN, DRY AND FREE OF DIRT, OIL, AND ANY OTHER CONTAMINANTS. DO NOT APPLY SIP TAPE ON THE UNDERSIDE OF ROOF PANELS PRIOR TO THE INSTALLATION OF THE ROOFING UNDERLAYMENT AND FINAL ROOF COVERING. SURFACE TEMPERATURE OF THE MATERIAL PBS SIP TAPE IS BEING APPLIED TO SHOULD BE 20° F OR WARMER.

TAPE INSTALLATION

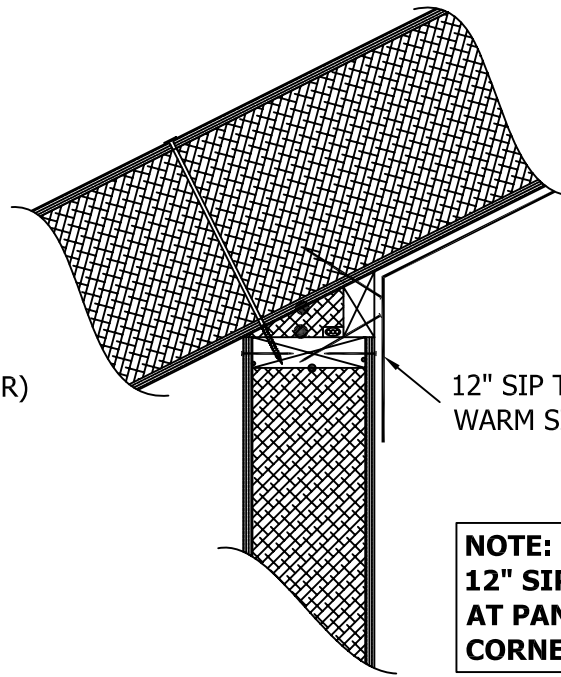
CENTER TAPE OVER JOINT, REMOVE BACKING AND PRESS FIRMLY INTO PLACE. PRESS FROM THE CENTER OUTWARD TO ENSURE A TIGHT SEAL. AFTER TAPE HAS BEEN INSTALLED REMOVE BUBBLES AND WRINKLES WITH A ROLLER OR SIMILAR TOOL.

JOINTS OVER BEAMS

ROLL OUT TAPE CENTERED OVER BEAM PRIOR TO PANEL INSTALLATION AND SECURE WITH STAPLES. AFTER PANELS ARE INSTALLED AND SECURED OVER TAPE, REMOVE BACKING AND PRESS FIRMLY INTO PLACE.

OVERLAPS AND "T" JOINTS

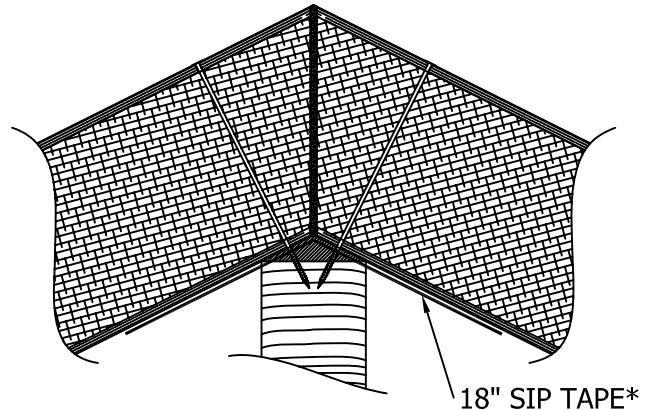
TAPE FOR PANEL TO PANEL CORNERS AND PANEL JOINTS OVER BEAMS SHOULD BE INSTALLED BEFORE IN PLANE PANEL JOINTS. OVERLAP TAPE A MINIMUM OF 3" AT "T" JOINTS AND WHEN CONTINUING A SEAM TO INSURE AN AIRTIGHT SEAL.



12" SIP TAPE ON (WINTER)
WARM SIDE OF PANEL*

NOTE:
12" SIP TAPE USED
AT PANEL TO PANEL
CORNER CONNECTION

PANEL TO PANEL CORNER (INSTALL SECOND)



18" SIP TAPE*

NOTE:
18" SIP TAPE USED
AT PANEL TO PANEL
CONNECTION OVER
BEAMS

PANEL JOINT OVER BEAM (INSTALL FIRST)

*REFER TO PBS TECHNICAL BULLETINS
#28 & #32 FOR SIP TAPE APPLICATION.