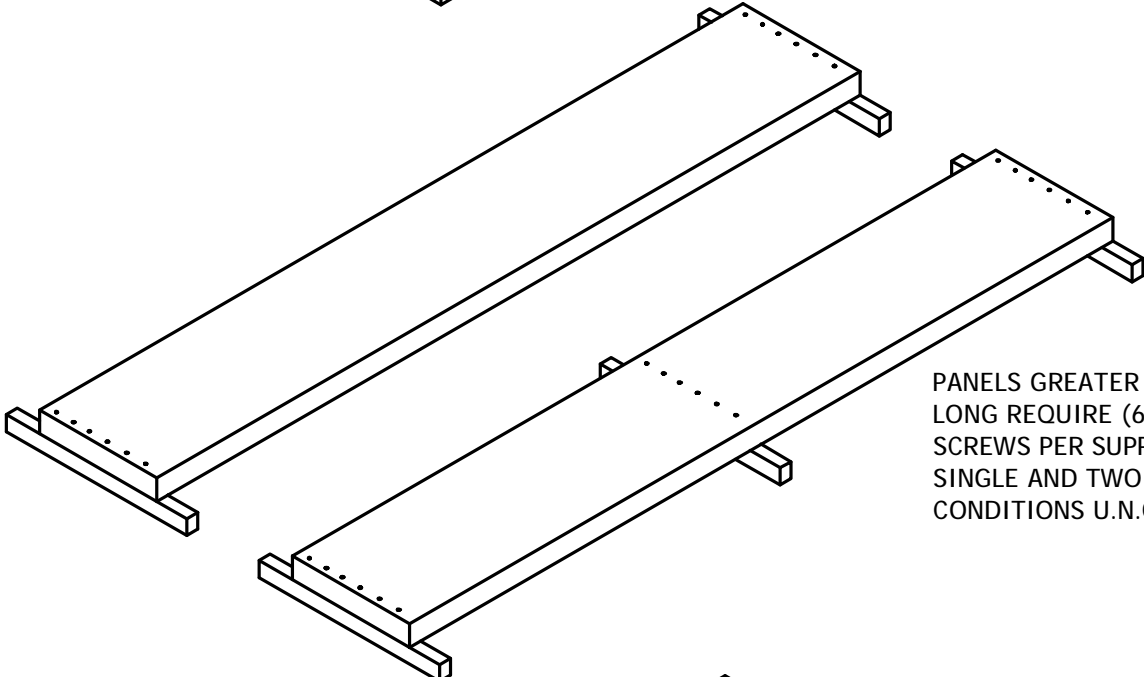
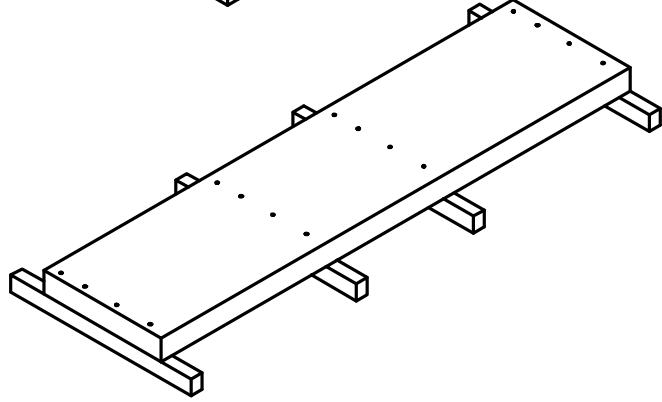


PANELS UP TO 16'-0" LONG  
REQUIRE (4) PREMIER SCREWS  
PER SUPPORT FOR SINGLE AND  
TWO SPAN CONDITIONS U.N.O.

NOTE: ALL PANELS ARE  
SHOWN 4' WIDE.



PANELS GREATER THAN 16'-0"  
LONG REQUIRE (6) PREMIER  
SCREWS PER SUPPORT FOR  
SINGLE AND TWO SPAN  
CONDITIONS U.N.O.



PANELS ANY LENGTH WITH  
MULTIPLE SPAN CONDITIONS  
REQUIRE (4) PREMIER SCREWS  
PER SUPPORT U.N.O.

